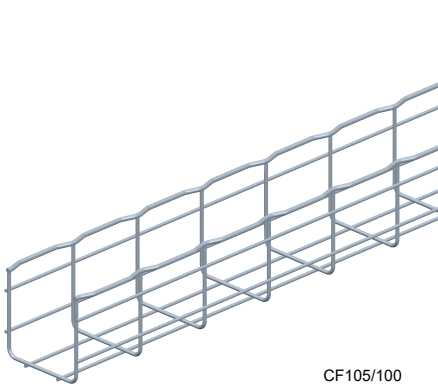
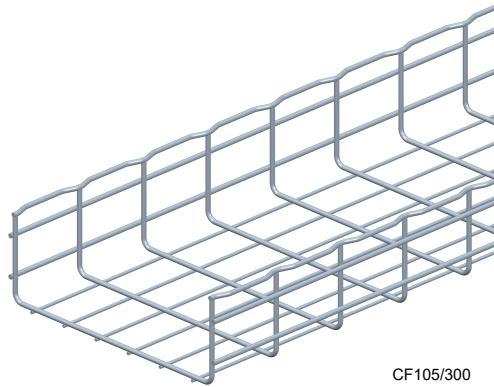


CF 105

Reference(s) : 000 891/901/081/091/101/201/251/301/401 - 001 031/931
000 063/073/083/093/103/203/253/303/403 - 001 033/933
000 064/074/084/094/104/204/254/304/404 - 001 034/934
000 066/076/086/096/106/206/256/306/406 - 001 036/936
000 068/078/088/098/108/208/258/308/408 - 001 038/938



CF105/100



CF105/300

SOMMAIRE / SUMMARY	PAGES
1. Usage / Use	1
2. Gamme / Range	1
3. Dimensions	1-2
4. Fixation / Fixing	2
5. Données techniques / technical data	2
6. Conformités / Conformities	2
7. Contenance / Capacity	3
8. Courbe de charge / Loading curves	3-4

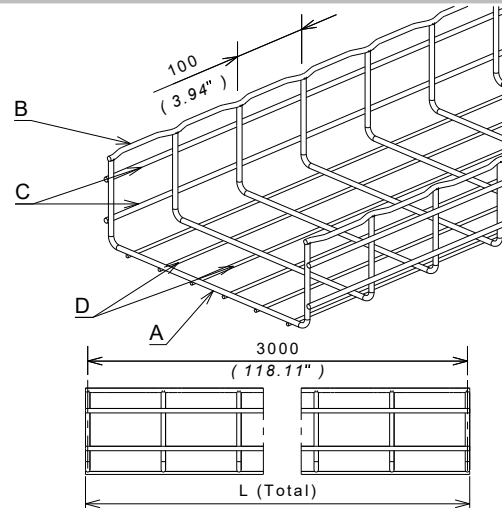
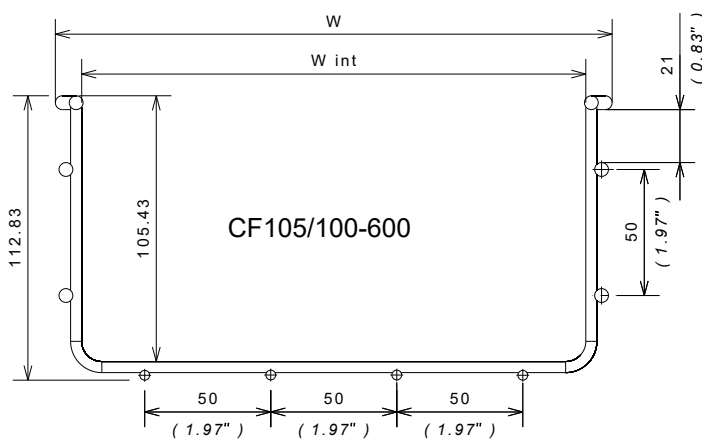
1. USAGE / USE

Chemin de câbles en fils d'acier soudés / Steel wire cable tray.

2. GAMME / RANGE

Designation	L int		EZ		GC / HDG		HR		IN304L / SS304L		IN316L / SS316L	
	(mm)	(inch)	CODE	Poids / Weight (Kg) (lb)	CODE	Poids / Weight (Kg) (lb)	CODE	Poids / Weight (Kg) (lb)	CODE	Poids / Weight (Kg) (lb)	CODE	Poids / Weight (Kg) (lb)
CF105/100	100	3.94	000 891	4.025 8.874	000 893	4.181 9.219	000 896	3.908 8.615	000 898	3.586 7.907	000 894	3.586 7.907
CF105/150	150	5.91	000 901	5.654 12.466	000 903	5.874 12.950	000 906	5.490 12.103	000 908	4.064 8.959	000 904	4.064 8.959
CF105/200	200	7.87	000 911	6.134 13.524	000 913	6.373 14.049	000 916	5.956 13.130	000 918	5.271 11.620	000 914	5.271 11.620
CF105/300	300	11.81	000 921	9.131 20.130	000 923	9.485 20.912	000 926	8.865 19.544	000 928	7.053 15.549	000 924	7.053 15.549
CF105/400	400	15.75	000 931	10.396 22.918	000 933	10.799 23.808	000 936	10.093 22.251	000 938	9.280 20.458	000 934	9.280 20.458
CF105/450	450	17.72	001 931	11.028 24.312	001 933	11.456 25.257	001 936	10.707 23.604	001 938	9.864 21.746	001 934	9.864 21.746
CF105/500	500	16.69	000 941	11.660 25.707	000 943	12.113 26.705	000 946	11.321 24.958	000 948	10.448 23.034	000 944	10.448 23.034
CF105/600	600	23.62	001 031	12.925 28.495	001 033	13.427 29.602	001 036	12.549 27.666	001 038	11.616 25.609	001 034	11.616 25.609

3. DIMENSIONS (mm/inch)



3.1 Finition / Material finish : EZ - GC / HDG - HR

Designation	Capacité / Capacity (mm²)	A (Ø)		B (Ø)		C (Ø)		D (Ø)		W int		W		H int		H		L 0/+7mm (mm) (inch)	
		(mm)	(inch)	(mm)	(inch)	(mm)	(inch)	(mm)	(inch)	(mm)	(inch)	(mm)	(inch)	(mm)	(inch)	(mm)	(inch)	(mm)	(inch)
CF105/100	10 273	4.4	0.17	5.5	0.22	3.9	0.15	3.9	0.15	100.0	3.94	120.9	4.76	103	4.221	110.3	4.342	3004.4	118.28
CF105/150	15 423	4.4	0.17	5.5	0.22	5.5	0.22	3.9	0.15	150.0	5.91	170.9	6.73	103	4.221	110.3	4.342	3004.4	118.28
CF105/200	20 853	4.4	0.17	5.5	0.22	5.5	0.22	3.9	0.15	200.0	7.87	220.9	8.70	104.4	4.278	111.7	4.397	3004.4	118.28
CF105/300	31 443	5.9	0.23	5.9	0.23	5.9	0.23	3.9	0.15	300.0	11.81	323.6	12.74	104.9	4.299	112.2	4.417	3005.9	118.34
CF105/400	41 653	5.9	0.23	5.9	0.23	5.9	0.23	3.9	0.15	400.0	15.75	423.6	16.68	104.2	4.270	112.6	4.433	3005.9	118.34
CF105/450	46 863	5.9	0.23	5.9	0.23	5.9	0.23	3.9	0.15	450.0	17.72	473.6	18.65	104.2	4.270	112.6	4.433	3005.9	118.34
CF105/500	52 073	5.9	0.23	5.9	0.23	5.9	0.23	3.9	0.15	500.0	19.69	523.6	20.61	104.2	4.270	112.6	4.433	3005.9	118.34
CF105/600	62 493	5.9	0.23	5.9	0.23	5.9	0.23	3.9	0.15	600.0	23.62	623.6	24.55	104.2	4.270	112.6	4.433	3005.9	118.34

■ 3.2 Finition / Material finish : IN316L - IN304L / SS316L - SS304L

Designation	Capacité / Capacity (mm ²)	A (∅)		B (∅)		C (∅)		D (∅)		W int		W		H int		H		L 0/+7mm	
		(mm)	(inch)	(mm)	(inch)	(mm)	(inch)	(mm)	(inch)	(mm)	(inch)	(mm)	(inch)	(mm)	(inch)	(mm)	(inch)	(mm)	(inch)
CF105/100	10 273	4.4	0.17	4.4	0.17	3.9	0.15	3.9	0.15	100.0	3.94	117.6	4.63	103	4.055	110.3	4.34	3004.4	118.28
CF105/150	15 423	4.4	0.17	4.4	0.17	3.9	0.15	3.9	0.15	150.0	5.91	167.6	6.60	103	4.055	110.3	4.34	3004.4	118.28
CF105/200	20 853	4.4	0.17	5.5	0.22	4.4	0.17	3.9	0.15	200.0	7.87	220.9	8.70	104.4	4.11	111.7	4.40	3004.4	118.28
CF105/300	31 443	4.4	0.17	5.5	0.22	5.5	0.22	3.9	0.15	300.0	11.81	320.9	12.63	104.9	4.13	112.2	4.42	3004.4	118.28
CF105/400	41 653	5.5	0.22	5.5	0.22	5.5	0.22	3.9	0.15	400.0	15.75	422.0	16.61	104.2	4.10	112.6	4.38	3005.5	118.33
CF105/450	46 863	5.5	0.22	5.5	0.22	5.5	0.22	3.9	0.15	450.0	17.71	472.0	18.58	104.2	4.10	112.6	4.38	3005.5	118.33
CF105/500	52 073	5.5	0.22	5.5	0.22	5.5	0.22	3.9	0.15	500.0	19.69	522.0	20.55	104.2	4.10	112.6	4.38	3005.5	118.33
CF105/600	62 493	5.5	0.22	5.5	0.22	5.5	0.22	3.9	0.15	600.0	23.62	622.0	24.49	104.2	4.10	112.6	4.38	3005.5	118.33



4. FIXATION (non incluse) / FIXING (not included)

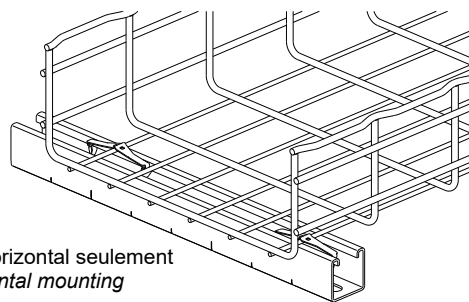
■ 4.1 VIS / SCREW

- 1 point de fixation minimum jusqu'à la largeur 200 mm incluse / 1 minimum fixing point until width 200 mm included
- 2 points de fixation minimum à partir de la largeur 300 / 2 minimum fixing points from width 300 mm

■ 4.2 FS41

Clip pour fixation sur rails LEGRAND 41x41 et 41x21
Clip for holding on LEGRAND 41x41 or 41x21 rails

	100 → 300	400 → 600
	x2 mini	x3 mini



Montage horizontal seulement
Only horizontal mounting

5. DONNEES TECHNIQUES / TECHNICAL DATA

■ 5.1 Caractéristiques matières / Material characteristics

Finition / Coating	Classe de résistance contre la corrosion / Resistance class against corrosion	Matière / Material	Norme matière / material Standard
EZ	Classe 3 - CEI 61537 / Class 3 - IEC 61537	C9D	EN ISO 16120-2
GC / HDG	Classe 6 - CEI 61537 / Class 6 - IEC 61537	C9D	EN ISO 16120-2
HR (ZnAl)	Classe 8 - CEI 61537 / Class 8 - IEC 61537	C9D	EN ISO 16120-2
IN304L / SS304L	Classe 9C - CEI 61537 / Class 9C - IEC 61537	X2 Cr Ni 18-9	EN 10 088-3
IN316L / SS316L	Classe 9D - CEI 61537 / Class 9D - IEC 61537	X2 Cr Ni Mo 17-12-2	EN 10 088-3

■ 5.2 Caractéristiques climatiques / climatic characteristics

Température de stockage et d'utilisation / storage and operating temperature : - 20° C à + 120° C

6. CONFORMITES / CONFORMITIES

Continuité électrique / Electrical continuity

- Suivant CEI61537 / following IEC 61537

Conforme à CEI 61537 Systèmes de chemin de câbles
Comply with IEC 61537 Cable tray systems

- Chemin de câble / cable tray : < 5 mΩ/m
- Eclissage / joint : < 50 mΩ

7. CONTENANCE / CAPACITY

Contenance en DaN/m = Poids indicatif des câbles lors d'un remplissage à 100% du Chemin de câbles
 Capacity in DaN / m = Indicative weight of the cables when the cable tray is 100% filled

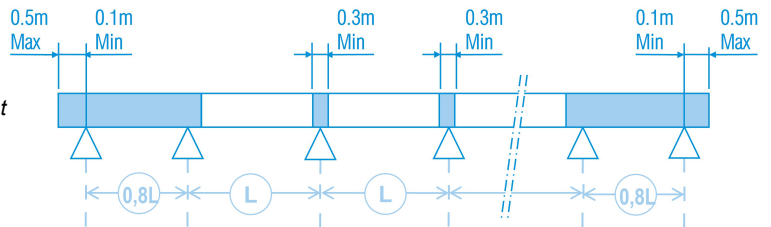
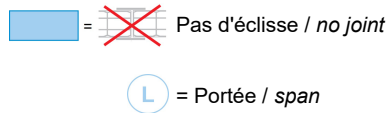
CONTENANCE maximum / Maximum CAPACITY (DaN/m)		
	d=0.15 (VDI / DATA)	d=0.25 (Puissance / Power)
CF105/100	15	25
CF105/150	23	38
CF105/200	30	51
CF105/300	46	76
CF105/400	61	102
CF105/450	69	114
CF105/500	76	127
CF105/600	91	152

d = densité des câbles / cable density (kg/m/cm²)
 1 kgf = 0.98 daN ≈ 1daN

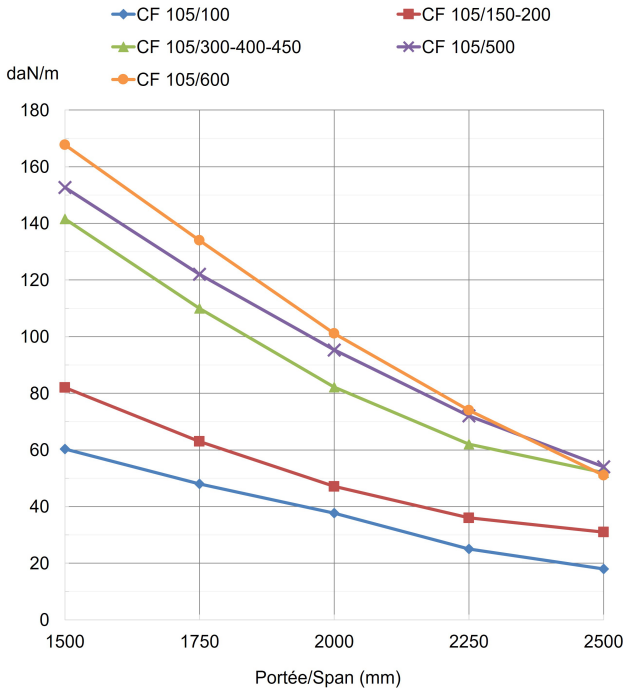
8. COURBE DE CHARGE / LOADING CURVES

■ 8.1 Essais sous CPS (Charge Pratique de Sécurité) / Test for SWL (Safe Working Load) :

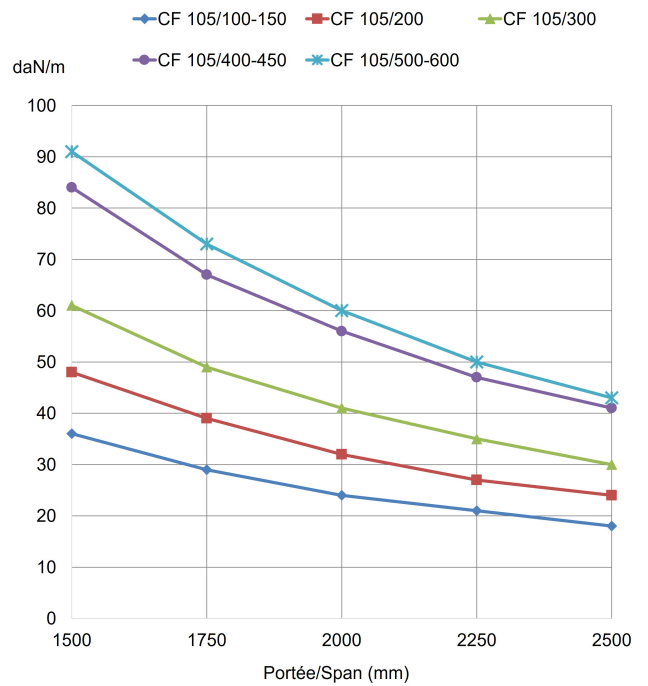
Type II / CEI 61537



EZ - GC / HDG - HR



INOX / STAINLESS STEEL



Porté maximum en mm lors d'un remplissage à 100% du Chemin de câbles / Maximum span in mm when the cable tray is 100% filled

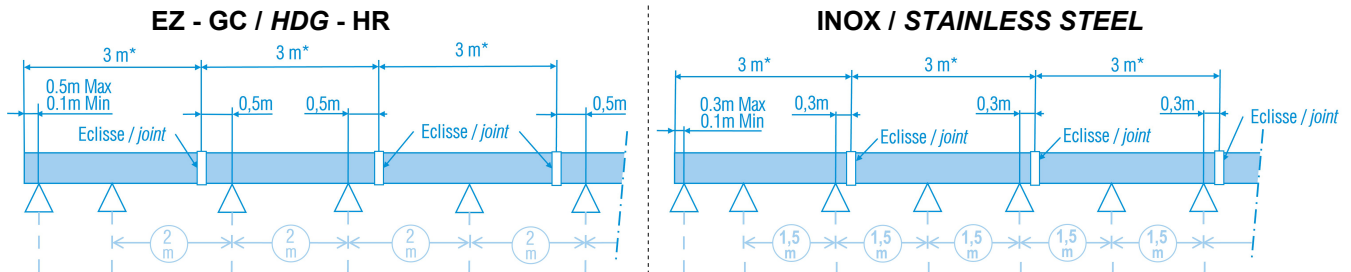
	Porté maximum / maximum span (mm)	
	d=0.15 (VDI / DATA)	d=0.25 (Puissance / Power)
CF 105/100	2600	2250
CF105/150	2725	2200
CF105/200	2500	1950
CF105/300	2550	2050
CF105/400	2250	1800
CF105/450	2100	1700
CF105/500	2200	1700
CF105/600	2050	1600

	Porté maximum / maximum span (mm)	
	d=0.15 (VDI / DATA)	d=0.25 (Puissance / Power)
CF 105/100	2750	1950
CF105/150	2100	1400
CF105/200	2500	1400
CF105/300	1800	1050
CF105/400	1850	1075
CF105/450	1700	800
CF105/500	1650	800
CF105/600	1500	-

8. COURBE DE CHARGE / LOADING CURVES (suite / cont.)

■ 8.2 Essais sous CPS (Charge Pratique de Sécurité) / Test for SWL (Safe Working Load) :

Selon préconisation de montage optimum / according to optimum mounting recommendations



* Pour les installations de grandes longueurs, adapter la portée à la longueur exacte du chemin de câbles et de l'éclissage.

* For long length installations, adapt the span to the exact length of the cable tray and joint.

EZ-GC/HDG-HR Portée / Span 2000mm	
	CPS / SWL (daN/m)
CF150/100	30.6
CF150/150	40.4
CF105/200	56.2
CF105/300-400	83.8
CF105/500-600	94.8

INOX / stainless steel Portée / Span 1500mm	
	CPS / SWL (daN/m)
CF105/100-150	36.7
CF105/200	48.0
CF105/300	61.2
CF105/400	84.1
CF105/500-600	91.7