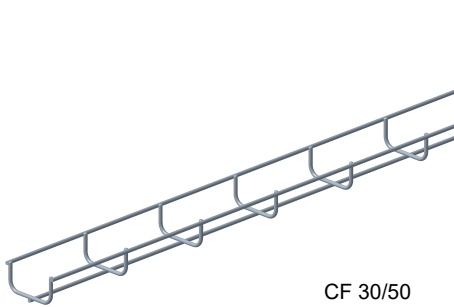
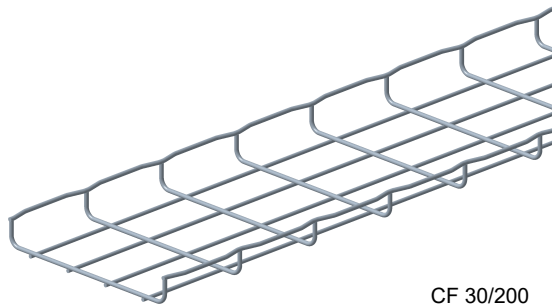


CF 30

Reference(s) : 000 011/021/031/041/051/801/831/811/851
000 013/023/033/043/053/803/813/853
000 016/026/036/046/056/806/836/816/856
000 018/028/038/048/058/808/818/858
000 014/024/034/044/054/804/814/854



CF 30/50



CF 30/200

SOMMAIRE / SUMMARY	PAGES
1. Usage / Use	1
2. Gamme / Range	1
3. Dimensions	1-2
4. Fixation / Fixing	2
5. Données techniques / technical data	2
6. Conformités / Conformities	2
7. Contenance / Capacity	3
8. Courbe de charge / Loading curves	3-4

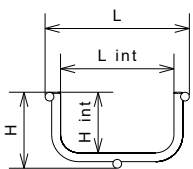
1. USAGE / USE

Chemin de câbles en fils d'acier soudés / Steel wire cable tray.

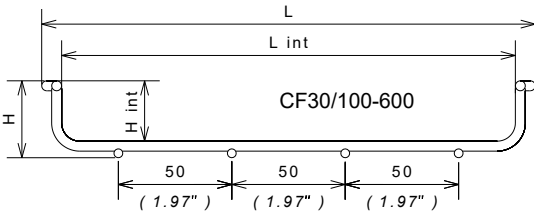
2. GAMME / RANGE

Designation	L int		EZ			GC / HDG			HR			IN304L / SS304L			IN316L / SS316L		
	(mm)	(inch)	CODE	Poids (Kg)	Weight (lb)	CODE	Poids (Kg)	Weight (lb)	CODE	Poids (Kg)	Weight (lb)	CODE	Poids (Kg)	Weight (lb)	CODE	Poids (Kg)	Weight (lb)
CF 30/50	50	1.97	000 011	1.175	2.591	000 013	1.221	2.692	000 016	1.141	2.515	000 018	1.169	2.578	000 014	1.169	2.578
CF 30/100	100	3.94	000 021	1.601	3.529	000 023	1.663	3.666	000 026	1.554	3.426	000 028	1.591	3.508	000 024	1.591	3.508
CF 30/150	150	5.91	000 031	2.039	4.496	000 033	2.119	4.671	000 036	1.980	4.365	000 038	2.029	4.472	000 034	2.029	4.472
CF 30/200	200	7.87	000 041	2.839	6.258	000 043	2.949	6.501	000 046	2.756	6.076	000 048	2.822	6.222	000 044	2.822	6.222
CF 30/300	300	11.81	000 051	4.394	9.687	000 053	4.565	10.063	000 056	4.266	9.405	000 058	4.192	9.242	000 054	4.192	9.242
CF 30/400	400	15.75	000 801	6.851	15.103	000 803	7.117	15.689	000 806	6.651	14.663	000 808	6.288	13.864	000 804	6.288	13.864
CF 30/450	450	17.72	000 831	7.331	16.161	-	-	-	000 836	7.117	15.690	-	-	-	-	-	-
CF 30/500	500	16.69	000 811	7.810	17.219	000 813	8.114	17.888	000 816	7.583	16.718	000 818	7.243	15.968	000 814	7.243	15.968
CF 30/600	600	23.62	000 851	8.770	19.336	000 853	9.111	20.086	000 856	8.515	18.772	000 858	8.197	18.072	000 854	8.197	18.072

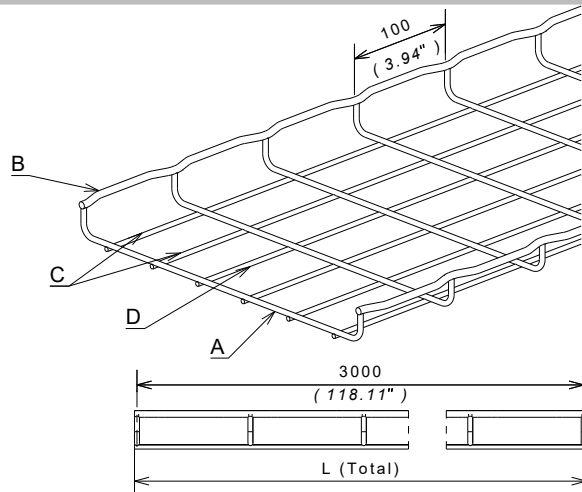
3. DIMENSIONS (mm/inch)



CF30/50
Bord droit / straight edge



CF30/100-600



■ 3.1 Finition / Material finish : EZ - GC / HDG - HR

Designation	Capacité / Capacity (mm²)	A (Ø)		B (Ø)		C (Ø)		D (Ø)		W int		W		H int		H		L 0/+7mm (mm) (inch)	
		(mm)	(inch)	(mm)	(inch)	(mm)	(inch)	(mm)	(inch)	(mm)	(inch)	(mm)	(inch)	(mm)	(inch)	(mm)	(inch)	(mm)	(inch)
CF30/50	1 328	3.9	0.15	3.9	0.15	-	-	3.9	0.15	50	1.97	63.6	2.5	27.1	1.067	33.9	1.33	3003.9	118.26
CF30/100	2 683	3.9	0.15	3.9	0.15	3.9	0.15	-	-	100	3.94	115.6	4.55	27.1	1.067	33.9	1.33	3003.9	118.26
CF30/150	4 098	3.9	0.15	3.9	0.15	3.9	0.15	-	-	150	5.91	165.6	6.52	27.1	1.067	33.9	1.33	3003.9	118.26
CF30/200	5 373	4.4	0.17	4.4	0.17	3.9	0.15	-	-	200	7.87	217.6	8.57	27	1.063	24.3	0.96	3004.4	118.28
CF30/300	8 313	4.4	0.17	5.9	0.23	3.9	0.15	3.9	0.15	300	11.81	322.1	12.68	27.8	1.094	35.1	1.38	3004.4	118.28
CF30/400	11 093	4.4	0.17	5.9	0.23	5.9	0.23	3.9	0.15	400	15.75	422.1	16.62	27.8	1.094	35.1	1.38	3004.4	118.28
CF30/450	12 483	4.4	0.17	5.9	0.23	5.9	0.23	3.9	0.15	450	17.72	472.1	18.59	27.8	1.094	35.1	1.38	3004.4	118.28
CF30/500	13 873	4.4	0.17	5.9	0.23	5.9	0.23	3.9	0.15	500	19.69	522.1	20.56	27.8	1.094	35.1	1.38	3004.4	118.28
CF30/600	16 653	4.4	0.17	5.9	0.23	5.9	0.23	3.9	0.15	600	23.62	622.1	24.49	27.8	1.094	35.1	1.38	3004.4	118.28

■ 3.2 Finition / Material finish : IN316L - IN304L / SS316L - SS304L

Designation	Capacité / Capacity (mm ²)	A (Ø)		B (Ø)		C (Ø)		D (Ø)		L int		L		H int		H		L 0/+7mm	
		(mm)	(inch)	(mm)	(inch)	(mm)	(inch)	(mm)	(inch)	(mm)	(inch)	(mm)	(inch)	(mm)	(inch)	(mm)	(inch)	(mm)	(inch)
CF30/50	1 328	3.9	0.15	3.9	0.15	-	-	3.9	0.15	50.0	1.97	64.0	2.52	27.1	1.07	33.9	1.33	3003.9	118.26
CF30/100	2 683	3.9	0.15	3.9	0.15	3.9	0.15	-	-	100.0	3.94	115.6	4.55	27.1	1.07	33.9	1.33	3003.9	118.26
CF30/150	4 038	3.9	0.15	3.9	0.15	3.9	0.15	-	-	150.0	5.91	165.6	6.52	27.1	1.07	33.9	1.33	3003.9	118.26
CF30/200	5 373	4.4	0.17	4.4	0.17	3.9	0.15	-	-	200.0	7.87	215.4	8.48	27	1.06	34.3	1.35	3004.4	118.28
CF30/300	8 313	4.4	0.17	5.5	0.22	3.9	0.15	3.9	0.15	300.0	11.81	320.9	12.63	27.6	1.09	34.9	1.37	3004.4	118.28
CF30/400	11 093	4.4	0.17	5.5	0.22	5.5	0.22	3.9	0.15	400.0	15.75	420.9	16.57	27.6	1.09	34.9	1.37	3004.4	118.28
CF30/500	13 873	4.4	0.17	5.5	0.22	5.5	0.22	3.9	0.15	500.0	19.69	520.9	20.51	27.6	1.09	34.9	1.37	3004.4	118.28
CF30/600	16 653	4.4	0.17	5.5	0.22	5.5	0.22	3.9	0.15	600.0	23.62	620.9	24.44	27.6	1.09	34.9	1.37	3004.4	118.28



4. FIXATION (non incluse) / FIXING (not included)

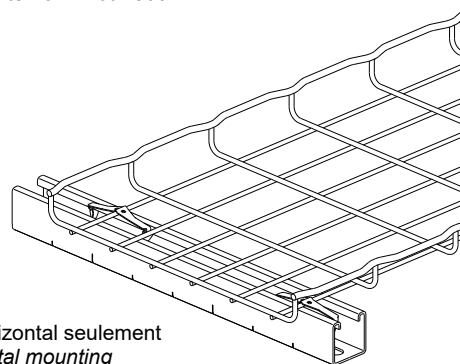
■ 4.1 VIS / SCREW

- 1 point de fixation minimum jusqu'à la largeur 200 mm incluse / 1 minimum fixing point until width 200 mm included
- 2 points de fixation minimum à partir de la largeur 300 / 2 minimum fixing points from width 300 mm

■ 4.2 FS41

Clip pour fixation sur rails LEGRAND 41x41 et 41x21
Clip for holding on LEGRAND 41x41 or 41x21 rails

	100 → 300	400 → 600
	x2 mini	x3 mini



Montage horizontal seulement
Only horizontal mounting

5. DONNEES TECHNIQUES / TECHNICAL DATA

■ 5.1 Caractéristiques matières / Material characteristics

Finition / Coating	Classe de résistance contre la corrosion / Resistance class against corrosion	Matière / Material	Norme matière / material Standard
EZ	Classe 3 - CEI 61537 / Class 3 - IEC 61537	C9D	EN ISO 16120-2
GC / HDG	Classe 6 - CEI 61537 / Class 6 - IEC 61537	C9D	EN ISO 16120-2
HR (ZnAl)	Classe 8 - CEI 61537 / Class 8 - IEC 61537	C9D	EN ISO 16120-2
IN304L / SS304L	Classe 9C - CEI 61537 / Class 9C - IEC 61537	X2 Cr Ni 18-9	EN 10 088-3
IN316L / SS316L	Classe 9D - CEI 61537 / Class 9D - IEC 61537	X2 Cr Ni Mo 17-12-2	EN 10 088-3

■ 5.2 Caractéristiques climatiques / climatic characteristics

Température de stockage et d'utilisation / storage and operating temperature : - 20° C à + 120° C

6. CONFORMITES / CONFORMITIES

Continuité électrique / Electrical continuity

- Suivant CEI61537 / following IEC 61537

Conforme à CEI 61537 Systèmes de chemin de câbles
Comply with IEC 61537 Cable tray systems

- Chemin de cable / cable tray : < 5 mΩ/m
- Eclissage / joint : < 50 mΩ

7. CONTENANCE / CAPACITY

Contenance en DaN/m = Poids indicatif des câbles lors d'un remplissage à 100% du Chemin de câbles
 Capacity in DaN / m = Indicative weight of the cables when the cable tray is 100% filled

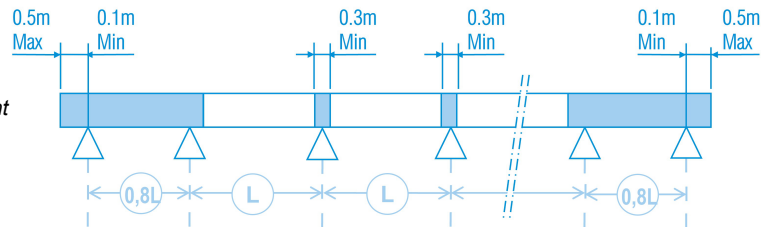
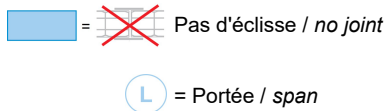
CONTENANCE maximum / Maximum CAPACITY (DaN/m)		
	d=0.15 (VDI / DATA)	d=0.25 (Puissance / Power)
CF 30/50	2.1	3.5
CF 30/100	4.2	7
CF 30/150	6.3	10.5
CF 30/200	8.4	14
CF 30/300	12.6	21
CF 30/400	16.8	28
CF 30/450	18.9	31.5
CF 30/500	21	35
CF 30/600	25.2	42

d = densité des câbles / cable density (kg/m/cm²)
 1 kgf = 0.98 daN ≈ 1daN

8. COURBE DE CHARGE / LOADING CURVES

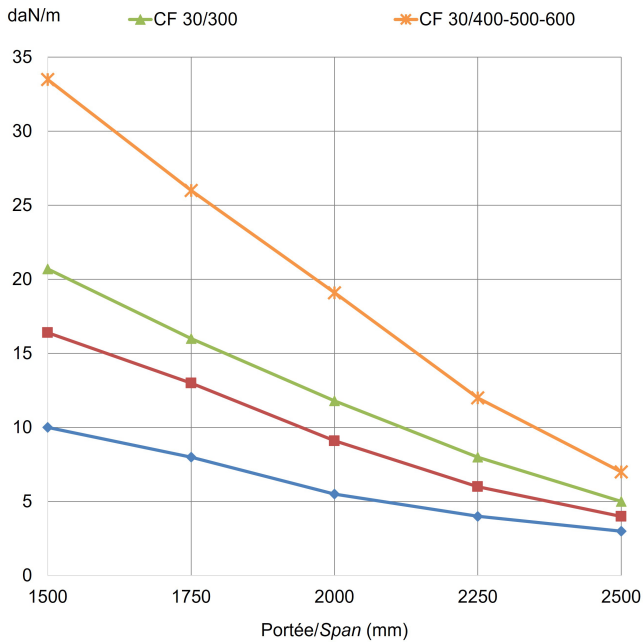
■ 8.1 Essais sous CPS (Charge Pratique de Sécurité) / Test for SWL (Safe Working Load) :

Type II / CEI 61537



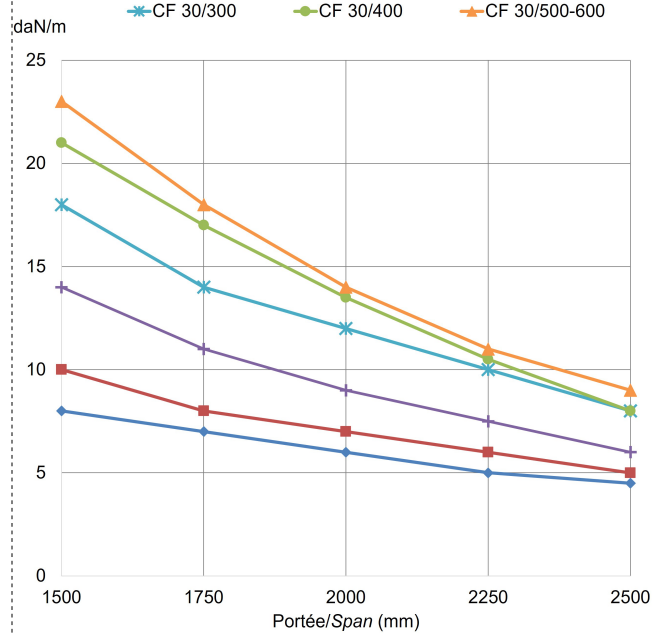
EZ - GC / HDG - HR

- ◆ CF 30/100-150
- ◆ CF 30/300
- CF 30/200
- ◆ CF 30/400-500-600



INOX / STAINLESS STEEL

- ◆ CF 30/50
- ◆ CF 30/300
- CF 30/100-150
- ◆ CF 30/400
- ◆ CF 30/200
- ◆ CF 30/500-600



Porté maximum en mm lors d'un remplissage à 100% du Chemin de câbles / Maximum span in mm when the cable tray is 100% filled

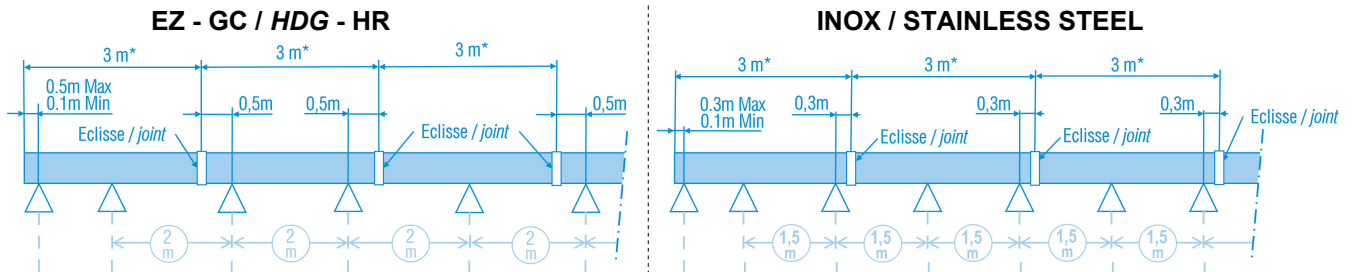
	Porté maximum / maximum span (mm)	
	d=0.15 (VDI / DATA)	d=0.25 (Puissance / Power)
CF 30/50	-	-
CF 30/100	2450	1800
CF 30/150	1900	1400
CF 30/200	2100	1650
CF 30/300	1950	1450
CF 30/400	2050	1650
CF 30/500	1900	1400
CF 30/600	1750	1200

	Porté maximum / maximum span (mm)	
	d=0.15 (VDI / DATA)	d=0,25 (puissance / power)
CF 30/50	3000	3000
CF 30/100	2700	2000
CF 30/150	2200	1400
CF 30/200	2150	1500
CF 30/300	1950	1200
CF 30/400	1750	1000
CF 30/500	1600	-
CF 30/600	1350	-

8. COURBE DE CHARGE / LOADING CURVES (suite / cont.)

■ 8.2 Essais sous CPS (Charge Pratique de Sécurité) / Test for SWL (Safe Working Load) :

Selon préconisation de montage optimum / according to optimum mounting recommendations



* Pour les installations de grandes longueurs, adapter la portée à la longueur exacte du chemin de câbles et de l'éclissage.

* For long length installations, adapt the span to the exact length of the cable tray and joint.

EZ-GC/HDG-HR Portée / Span 2000mm	
	CPS / SWL (daN/m)
CF 30/50-100	7
CF 30/150	7.5
CF 30/200	10.2
CF 30/300	12.7
CF 30/400-600	21.3

INOX / stainless steel Portée / Span 1500mm	
	CPS / SWL (daN/m)
CF 30/50	8.7
CF 30/100-150	10.5
CF 30/200	14.9
CF 30/300	18.7
CF 30/400-500	23.5