

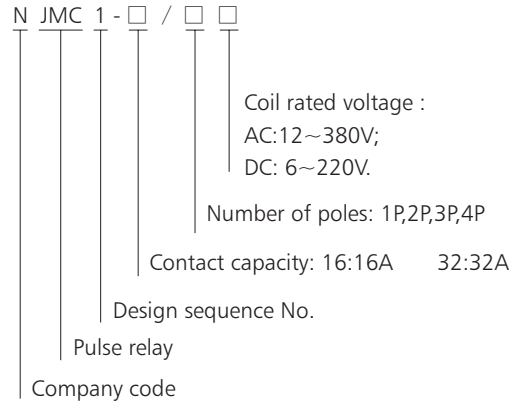


## NJMC1 pulse relay

### 1. General

Contact switching current of up to 16A and 32A; a complete range of AC/DC specifications; in conformity with GB/T 21711.1; NJMC1 pulse relay is a mechanical bistable relay that changes the contact state by inputting pulse signals. Therefore, in comparison with common relays which remain on when the armature is closed, pulse relay features a low power consumption.

### 2. Type designation



### 3. Normal operating conditions and mounting conditions

Temperature range	-25℃~+55℃
Pollution degree	1
Mounting position	Any
Environmental protection category	Dustproof type
Overvoltage category	II

### 4. Technical data

#### 4.1 Contact data

Contact form	1P, 2P, 3P, 4P	
Initial contact resistance	100mΩ	
Contact material	Silver alloy	
Contact load (resistive)	NJMC1-16:16A 250VAC/28VDC	NJMC1-32:32A 250VAC/28VDC
Max. switching voltage	250VAC/125VDC	NJMC1-32:32A
Max. switching current	NJMC1-16:16A	NJMC1-32:8000VA 896W
Max. switching power	NJMC1-16:4000VA 448W	
Electrical life (times)	1 × 10 <sup>5</sup>	
Mechanical life (times)	1 × 10 <sup>6</sup>	

#### 4.2 Specification data

Coil rated voltage VDC	Coil resistance (20℃)Ω ±10%
6	6
12	24
24	95
48	380
110	2000
127	2660
220	8000

Coil rated voltage VAC	Coil resistance (20℃)Ω ±10%
12	6
24	24
48	95
130	700
220	2000
230	2185
240	2380
380	6000

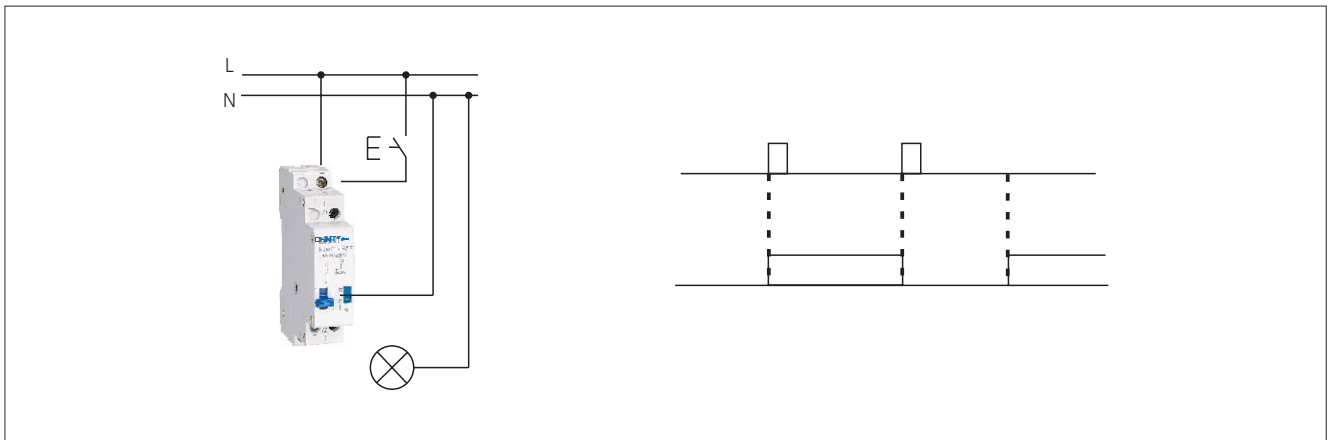
### 4.3 Characteristics data

Insulation resistance	100MΩ(500VDC)	
Dielectric strength	Between contact & coil	4000VDC
	Between open contacts	1500VDC
Operation time	≤20ms	
Shock (resistance)	Acceleration: 100m/s <sup>2</sup> , pulse duration: 11ms	
Vibration	1mm double amplitude, 10~55Hz	
Mounting type	Rail type	
Overall dimensions (mm)	86×70	

### 4.4 Coil data

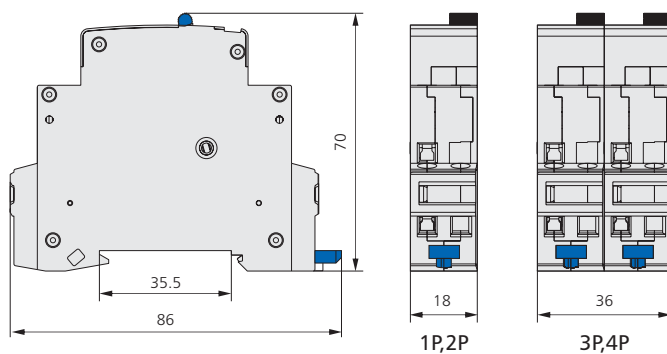
Pulse voltage duration	≥50ms (200ms is recommended)
Voltage range	85%~110%

## 5. Wiring diagram



## 6. Overall and mounting dimensions (mm)

NJMC1-16



NJMC1-32

