



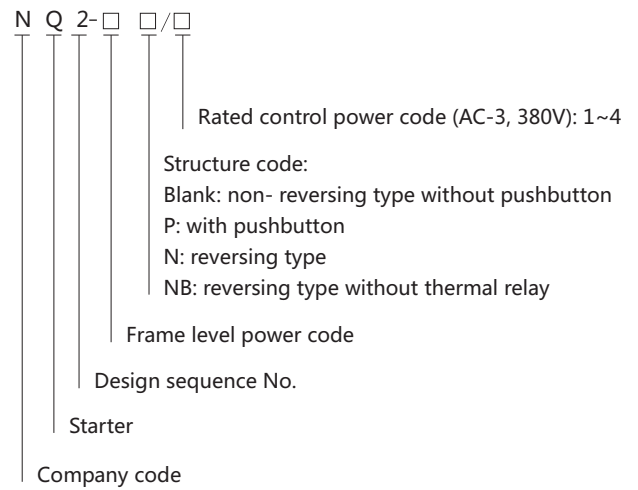
NQ2 Direct On-line Starter

1. General

1.1 NQ2 series electromagnetic starter ("starter" for short hereinafter) applies mainly to circuit with AC current of 50Hz (or 60Hz), rated operational voltage of 660V and rated controlled power up to 33kW (current up to 68A) for using to control the direct start and halt of the electromotor to protect the motor from overload and phase failure.

1.2 The starter conforms to standards IEC/EN60947-4-1

2. Type designation



3. Technical data

3.1 NQ2-15, 33

Model	Conventional heating current I _{th} (A)	Rated operational current I _e (A)	Rated power (AC-3)			Model of matched contactor	Model of matched relay	Range of setting current (A)
			(kW)					
			660V	380V	220V			
NQ2-15/1	13	12	7.5	5.5	3	NC1-1210	NR2-25	0.1~0.16 0.16~0.25 0.25~0.4 0.4~0.63 0.63~1 1~1.6 1.25~2 1.6~2.5 2.5~4 4~6 5.5~8 7~10 9~13
NQ2-15/2	18	18	10	7.5	4	NC1-1810	NR2-25	12~18
NQ2-15/3	25	25	15	11	5.5	NC1-2510		17~25
NQ2-15/4	36	32	18.5	15	7.5	NC1-3210	NR2-36	23~32 28~36
NQ2-33/1	52	52	33	25	15	NC1-6511	NR2-93	23~32 30~40 37~50 48~65
NQ2-33/2	68	68	37	33	25	NC1-9511		55~70 63~80 80~93

3.2 NQ2-15P, 33P

Model	Conventional heating current I _{th} (A)	Rated operational current I _e (A)	Rated power (AC-3)			Model of matched contactor	Model of matched relay	Model of matched pushbutton	Range of setting current (A)
			(kW)						
			660V	380V	220V				
NQ2-15P/1	13	12	7.5	5.5	3	NC1-1210	NR2-25	Start: NP2-EA31 Stop: NP2-EA42	0.1~0.16 0.16~0.25 0.25~0.4 0.4~0.63 0.63~1 1~1.6 1.25~2 1.6~2.5 2.5~4 4~6 5.5~8 7~10 9~13
NQ2-15P/2	18	18	10	7.5	4	NC1-1810	NR2-25		12~18
NQ2-15P/3	25	25	15	11	5.5	NC1-2510			17~25
NQ2-15P/4	36	32	18.5	15	7.5	NC1-3210	NR2-36		23~32 28~36
NQ2-33P/1	52	52	33	25	15	NC1-6511	NR2-93		23~32 30~40 37~50 48~65
NQ2-33P/2	68	68	37	33	25	NC1-9511			55~70 63~80 80~93

3.3 NQ2-15 N

Model	Conventional heating current I _{th} (A)	Rated operational current I _e (A)	Rated power (AC-3)			Model of matched contactor	Model of matched relay	Range of setting current (A)
			(kW)					
			660V	380V	220V			
NQ2-15N/1	13	12	7.5	5.5	3	NC1-1210	NR2-25	0.1~0.16 0.16~0.25 0.25~0.4 0.4~0.63 0.63~1 1~1.6 1.25~2 1.6~2.5 2.5~4 4~6 5.5~8 7~10 9~13 12~18 17~25 23~32 28~36
NQ2-15N/2	18	18	10	7.5	4	NC1-1810	NR2-36	12~18
NQ2-15N/3	25	25	15	11	5.5	NC1-2510		17~25
NQ2-15N/4	36	32	18.5	15	7.5	NC1-3210	NR2-36	23~32 28~36

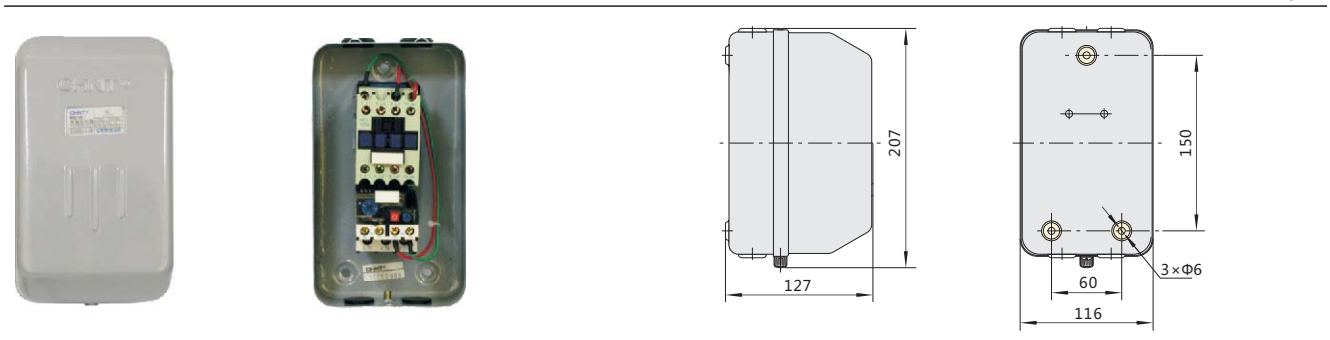
3.4 NQ2-15NB

Model	Conventional heating current I _{th} (A)	Rated operational current I _e (A)	Rated power (AC-3)			Model of matched contactor
			(kW)			
			660V	380V	220V	
NQ2-15NB/1	13	12	7.5	5.5	3	NC1-1201N
NQ2-15NB/2	18	18	10	7.5	4	NC1-1801N
NQ2-15NB/3	25	25	15	11	5.5	NC1-2501N
NQ2-15NB/4	36	32	18.5	15	7.5	NC1-3201N

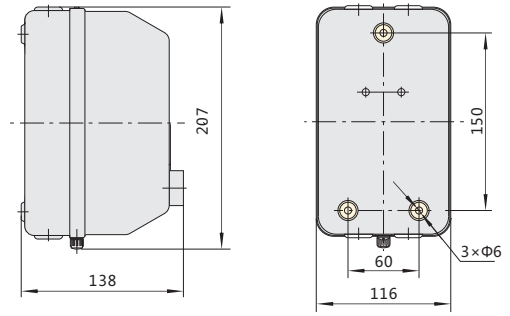
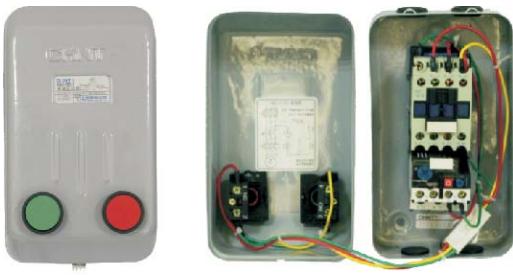
Altitude: not exceeding 2000m; Temperature of ambient air: -5°C~+40°C
 Rated control supply voltage (AC 50Hz): 24V, 36V, 48V, 110V, 127V, 220V, 380V, 415V
 Mechanical life: 1,000,000 circles; Electric life: 500,000 circles; IP40

4. Overall and mounting dimensions (mm)

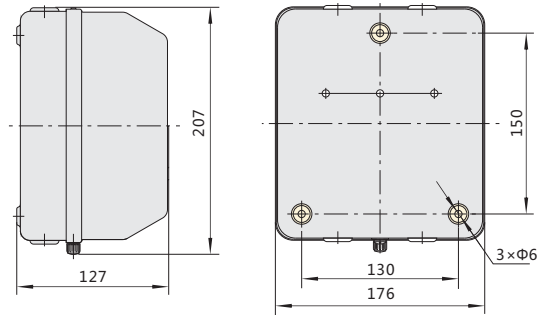
NQ2-15



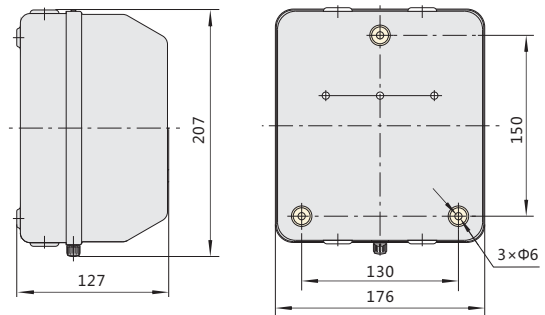
NQ2-15P



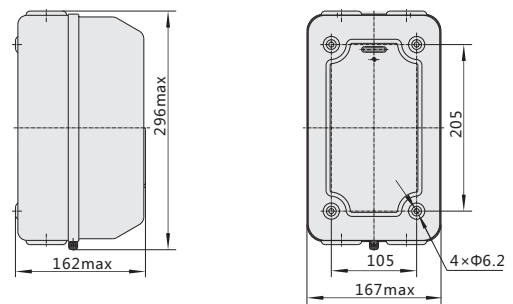
NQ2-15N

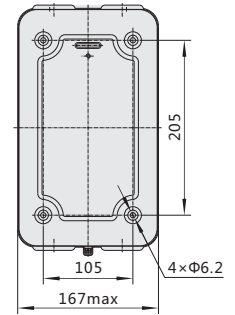
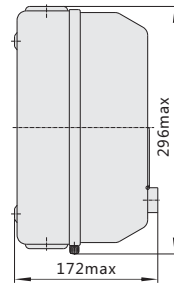


NQ2-15NB



NQ2-33





5. Wiring Diagram

