



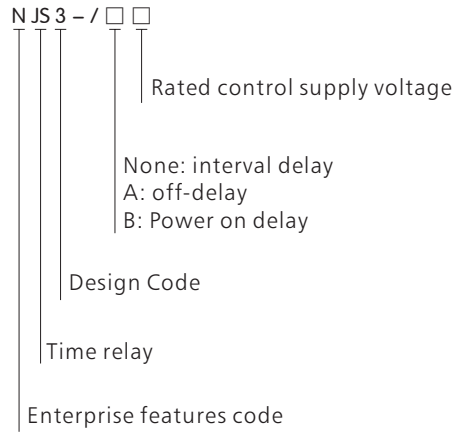
## NJS3 Series Time Relay

### 1. Scope of application

NJS3 series time relay mainly used as time control component for control circuit with AC 50Hz/60Hz, rated control power supply voltage to 220V, make or break the circuit at a preset time.



### 2. Model and meaning



### 3. Main parameters and technical performance

Product Model	NJS3	NJS3-A	NJS3-B
Work mode	Interval delay	Breaking delay	Power on delay
Number of Contacts	Delay 1 normally open		
Rated control supply voltage	AC220V, AC110V		
Contact capacity	Ue/Ie: AC-15 220V/3A, 380V/1.9A; DC-13 24V/1.1A; Ith: 16A		
Electrical life	1 × 10 <sup>5</sup>		
Mechanical life	1 × 10 <sup>6</sup>		
Ambient temperature	-5°C ~ +40°C		
Delay range	0.5min ~ 20min	5s, 10s, 30s, 60s, 120s, 180s, 360s, 480s, 5min, 10min, 30min, 60min, 120min, 180min, 360min, 480min	
Power consumption	≤ 3VA		
Installation	Guide rail		
Reset time	≤ 1s		

4. Wiring diagram

Figure 2 NJS3 wiring

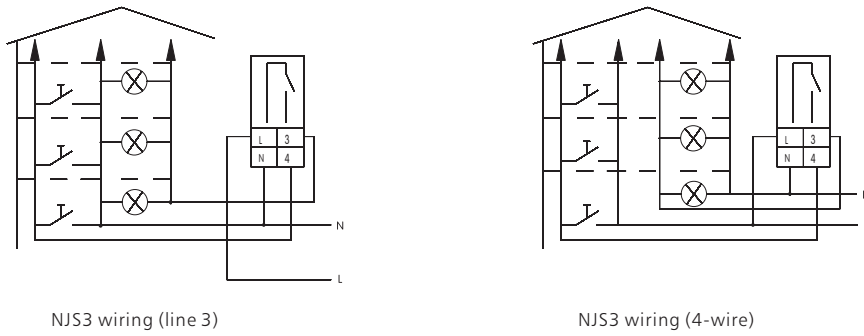


Figure 3 NJS3-A wiring

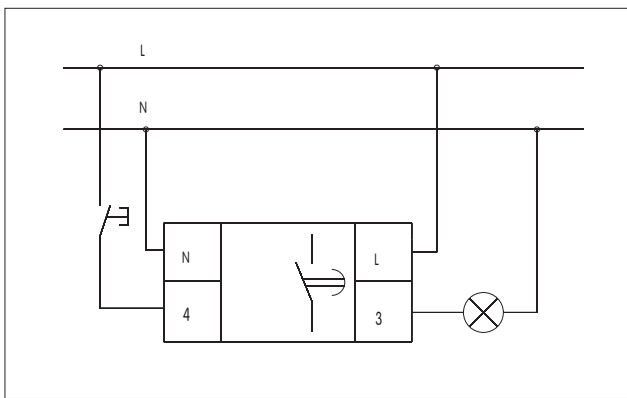
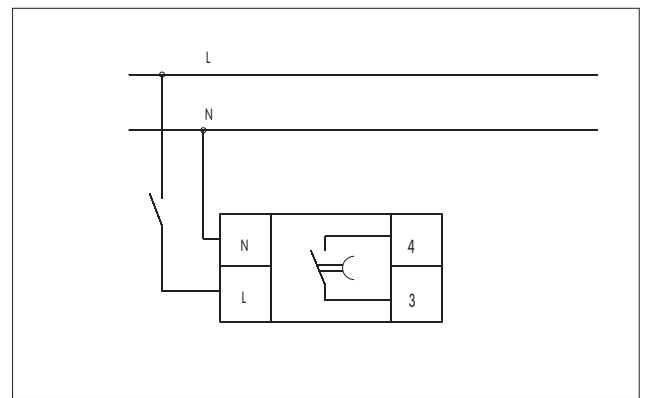


Figure 4 NJS3-B wiring



5. Outside shape and mounting dimensions

Mounting size: TH35-7.5 steel mounting rail

