

COMPANY UP&DOWN DOWNLIGHT IN-GROUND BRICKLIGHT FLOODLIGHT BOLLARD BULKHEAD GARDEN URBAN CLASSIC URBAN MODERN POST LAMPS REFERENCES

EXTRALETI 100 ROUND

SURFACE LAMP



Surface wall lamp with round shape, made of shockproof resin material, UV-rays stabilized, rust and corrosion-free. Supplied as standard with TÜV-CB certified, long-life, efficient and Kelvin settable GX53 LED lamp 3W-350lm included. Available in 4 different cover options to get a diffuse or downwards directed light emission. Insulation class II, Protection rating IP66.

Lampada a muro con forma circolare, realizzata in resina antiurto, stabilizzata ai raggi UV, inattaccabile da ruggine e corrosione. Fornita con inclusa lampadina a LED GX53 3W-350lm con Kelvin impostabile certificata TÜV-CB, di lunga durata ed elevata efficienza. Disponibile in 4 differenti versioni di cover per permettere un'emissione della luce diffusa o diretta verso il basso. Classe di isolamento II, grado di protezione IP66.



• 253.000.G1K

CCT SETTABLE

3000 K 4000 K 6500 K

SDCM <6



EXTRALETI 100 ROUND - COMPONENTS

IP 66



COVER made of shockproof resin material, UV-rays stabilized, rust and corrosion free. Different shapes available allowing a diffuse or a downwards light emission.

COVER realizzata in resina antiurto, stabilizzata ai raggi UV, inattaccabile da ruggine e corrosione. Disponibile in diverse versioni per permettere un'emissione della luce diffusa o diretta verso il basso.

Opal DIFFUSER made of UV-rays stabilized polymethylmethacrylate (PMMA).

DIFFUSORE opale realizzato in polimetilmetacrilato (PMMA) stabilizzato ai raggi UV.

High quality silicone rubber **GASKET** to ensure high protection against external agents.

GUARNIZIONE in gomma siliconica per garantire un alto livello di protezione contro gli agenti esterni.

BODY made of shockproof resin material, UV-rays stabilized, suitable for the electrical devices fixation. Provided complete with **GX53 led lamp**.

CORPO realizzato in resina antiurto, stabilizzata ai raggi UV, adatto ad alloggiare gli accessori elettrici. Fornito completo di **lampadina led GX53**.

EXTRALETI 100 ROUND

Ø 140



Dimensions and weight

Diameter: Ø 140 mm
Depth: 64/85 mm
Weight: 0,5 Kg

Moulded colours:

Black White Grey

Diffuser PMMA:


Opal

GX53 LED

100 - 240 V

*ADD. SUFFIX



	3 W	350 Lm	6500 K	.G1K
			4000 K	
			3000 K	

Surface lamp supplied as standard with TÜV-CB certified, long-life, efficient and Kelvin settable **GX53 LED lamp included**. Quick and easy lamp replacement for a very simple maintenance after installation.

- **COST SAVING:** long-life and efficient LED light sources
- **BUILT-IN DRIVER:** quick and easy lamp replacement
- **GREAT FLEXIBILITY:** GX53 standard lamp holder
- **FUTURE-PROOFED LUMINARIES:** performances easy to upgrade to latest technology developments.

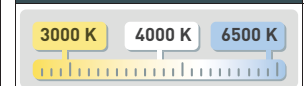


LED LAMPS



Technical details on page 552.

CCT SETTABLE LED LAMP



CCT switch settable in three different positions, to select the desired Kelvin temperature (3000K/4000K/6500K) and get a customized ambiance.

* ADD THESE SUFFIXES TO THE REFERENCES MENTIONED IN THE CATALOGUE

COMPANY
UP&DOWN
DOWNLIGHT
IN-GROUND
BRICKLIGHT
FLOODLIGHT
BOLLARD
BULKHEAD
GARDEN
URBAN CLASSIC
URBAN MODERN
POST
LAMPS
REFERENCES

EXTRALETI 100 ROUND

SURFACE LAMP



251.000.G1K



254.000.G1K



252.000.G1K



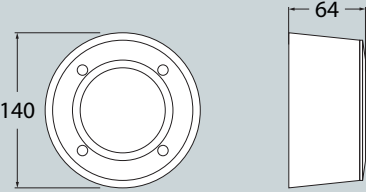
253.000.G1K

MADE IN ITALY

EXTRALETI 100 ROUND

3W 2S1.000.G1K

CCT SETTABLE GX53 LED LAMP INCLUDED
3000K/4000K/6500K

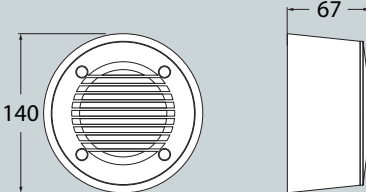


Pcs 48
Kg 20,3
mc 0,12

EXTRALETI 100 ROUND-GR

3W 2S2.000.G1K

CCT SETTABLE GX53 LED LAMP INCLUDED
3000K/4000K/6500K

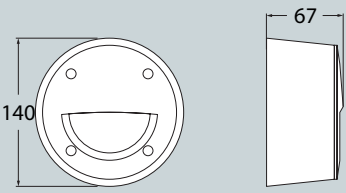


Pcs 48
Kg 20,3
mc 0,12

EXTRALETI 100 ROUND-EL

3W 2S3.000.G1K

CCT SETTABLE GX53 LED LAMP INCLUDED
3000K/4000K/6500K

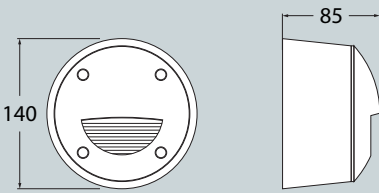


Pcs 48
Kg 20,3
mc 0,12

EXTRALETI 100 ROUND-ST

3W 2S4.000.G1K

CCT SETTABLE GX53 LED LAMP INCLUDED
3000K/4000K/6500K



Pcs 48
Kg 20,3
mc 0,12