

Product data sheet

Specifications



circuit breaker EasyPact CVS250F,
36 kA at 415 VAC, 4P 4d, 250 A
rating thermal magnetic TM-D trip
unit

LV525353

Main

Range	EasyPact
Product name	EasyPact CVS
Device short name	CVS250F
Product or component type	Circuit breaker
Device application	Distribution
Poles description	4P
Protected poles description	4D
Earth leakage protection (Vigi add on)	Without
[In] rated current	250 A at 40 °C
Network type	AC
Utilisation category	Category A
[Icu] Breaking capacity	36 kA Icu at 440 V AC 50/60 Hz conforming to IEC 60947-2 36 kA Icu at 380/415 V AC 50/60 Hz conforming to IEC 60947-2 70 kA Icu at 220/240 V AC 50/60 Hz conforming to IEC 60947-2
Trip unit name	TM-D
Trip unit technology	Thermal-magnetic
Trip unit rating	250 A at 40 °C
Protection type	Overload protection (thermal) Short-circuit protection (magnetic)

Complementary

[Uimp] rated impulse withstand voltage	8 kV conforming to EN/IEC 60947-2
Network frequency	50/60 Hz
Breaking capacity code	F
[Ics] rated service breaking capacity	18 kA at 440 V AC 50/60 Hz conforming to IEC 60947-2 36 kA at 380/415 V AC 50/60 Hz conforming to IEC 60947-2 70 kA at 220/240 V AC 50/60 Hz conforming to IEC 60947-2
Neutral position	Left
Mechanical durability	20000 cycles
Electrical durability	10000 cycles 415 V In conforming to IEC 60947-2
Control type	Toggle

Thermal protection adjustment range	175...250 A
Neutral protection setting	1 x Ir (4D)
Long time pick-up adjustment type Ir	Adjustable
Long time pick-up adjustment range	0.7...1 x In
Long time delay adjustment type	Fixed
Instantaneous pick-up adjustment type li	Fixed
Instantaneous pick-up adjustment range	2500 A
Contact position indicator	Yes
Mounting mode	Fixed
Mounting support	Backplate
Upside connection	Front
Downside connection	Front
Connections - terminals	Screw connection
Connection pitch	35 mm
Compatibility code	CVS250
Width	140 mm
Depth	86 mm
Height	161 mm
Net weight	2.6 kg

Environment

Standards	EN 60947-2 IEC 60947-2
Product certifications	GOST IEC
Electrical shock protection class	Class II
Pollution degree	3 conforming to IEC 60664-1
IP degree of protection	IP40
Ambient air temperature for operation	-25...70 °C
Ambient air temperature for storage	-50...85 °C

Packing Units

Unit Type of Package 1	PCE
Number of Units in Package 1	1
Package 1 Height	13.600 cm
Package 1 Width	14.500 cm
Package 1 Length	18.900 cm
Package 1 Weight	2.581 kg
Unit Type of Package 2	S04
Number of Units in Package 2	9

Package 2 Height	30.000 cm
Package 2 Width	40.000 cm
Package 2 Length	60.000 cm
Package 2 Weight	23.842 kg

Offer Sustainability

Sustainable offer status	Green Premium product
REACH Regulation	REACH Declaration
EU RoHS Directive	Compliant EU RoHS Declaration
Mercury free	Yes
China RoHS Regulation	China RoHS declaration Product out of China RoHS scope. Substance declaration for your information
RoHS exemption information	Yes
Environmental Disclosure	Product Environmental Profile
Circularity Profile	End of Life Information
WEEE	The product must be disposed on European Union markets following specific waste collection and never end up in rubbish bins

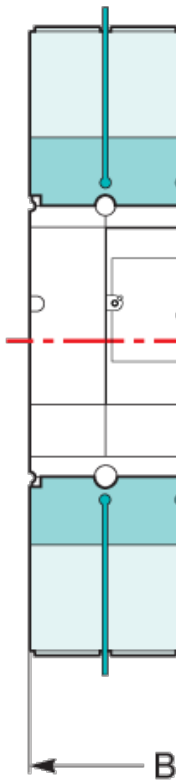
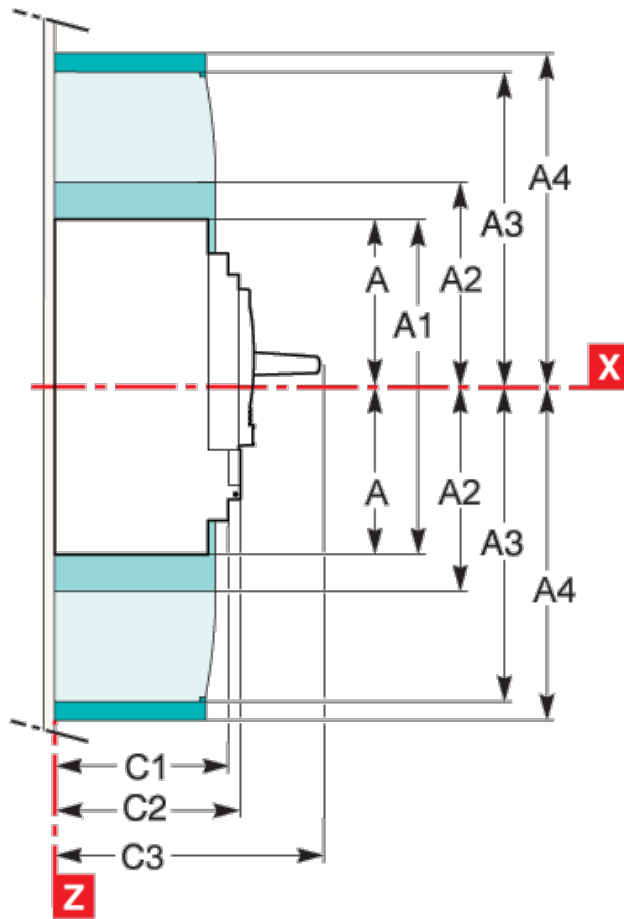
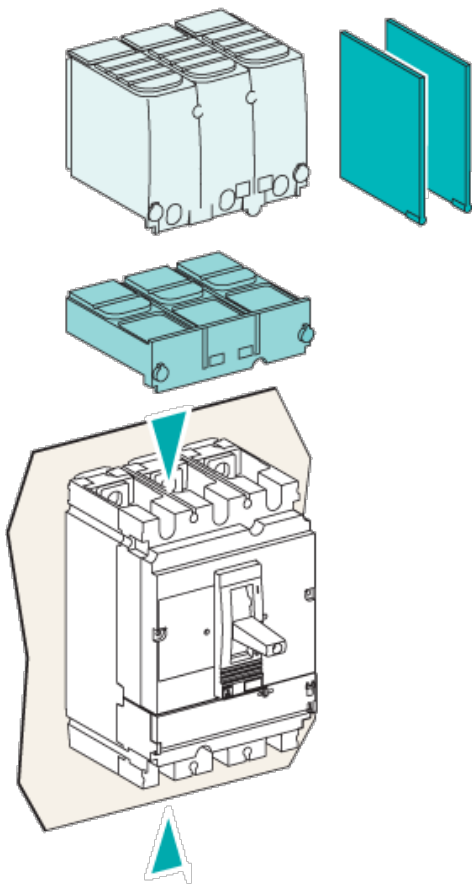
Contractual warranty

Warranty	18 months
----------	-----------

Product data sheet

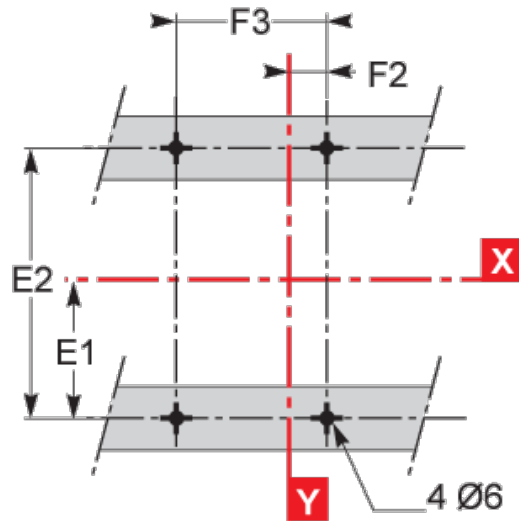
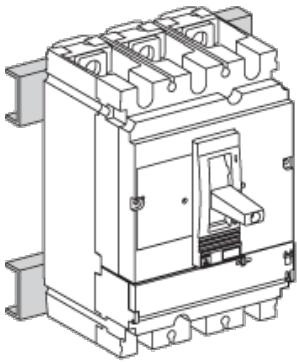
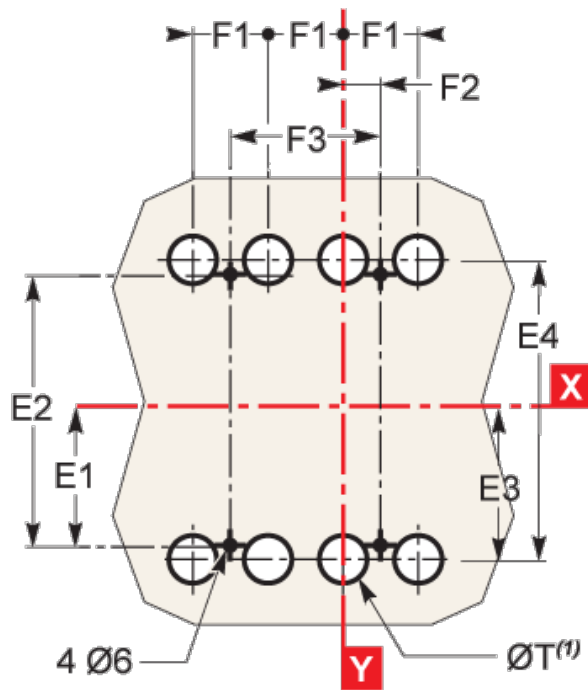
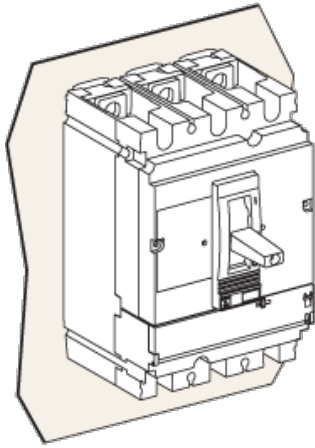
Dimensions Drawings

LV525353



Type	A	A1	A2	A3	A4	A5	A6	A7	A8	A9	B	B1	B2	C1	C2	C3	E1
CYS100/160/250	80,5	161	84	140	139,5	155,5	226	169	220	353,5	52,5	105	140	81	86	111 ^Ø	62,5
CYS400/630	127,5	255	142,5	200	207	227,5	358	242,5	300	537	70	140	185	95,5	110	169	100
Type	E2	E3	E4	E5	E6	E7	E8	F1	F2	F3	G1	G2	G3	G4	G5	G7	U
CYS100/160/250	123	70	140	137,5	200	140	215	30	17,5	70	55	75	13,5	23	17,5	24	y32
CYS400/630	200	113,5	227	200	300	213,5	327	45	22,5	80	-	-	-	-	-	32	y35

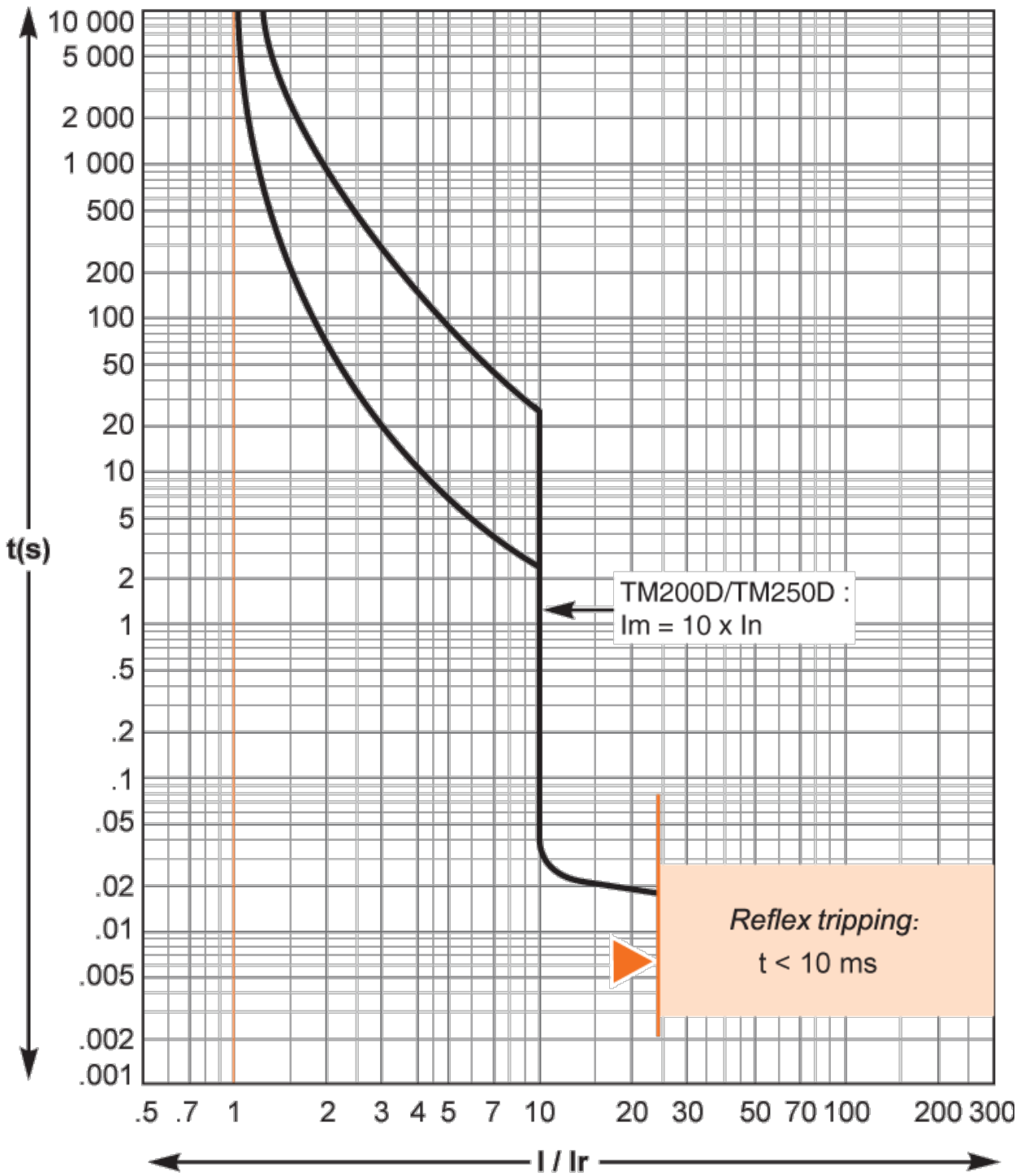
Ø C3=126mm for EasyPact CYS2500/F



Type	A	A1	A2	A3	A4	A5	A6	A7	A8	A9	B	B1	B2	C1	C2	C3	E1
CYS100/160/250	80,5	161	84	140	139,5	158,5	236	169	220	253,5	52,5	105	140	81	86	111 ⁽¹⁾	82,5
CYS400/630	127,5	255	142,5	200	217	237,5	365	242,5	300	337	70	140	185	95,5	110	168	100
Type	E2	E3	E4	E5	E6	E7	E8	F1	F2	F3	G1	G2	G3	G4	G5	ØT	U
CYS100/160/250	125	70	140	137,5	200	140	216	30	17,5	70	55	70	13,5	33	17,5	34	y32
CYS400/630	200	153,5	227	200	300	213,5	327	45	22,5	80	-	-	-	-	-	32	y35

(1) C3=126mm for EasyPost CYS2500/F

Performance Curves



Recommended replacement(s)